

Model 5060 VENICE

CARCASS: spruce, chipboard and multilayer panels

SPRINGING: no sag on seats

PADDING: stress-resistant poldensities

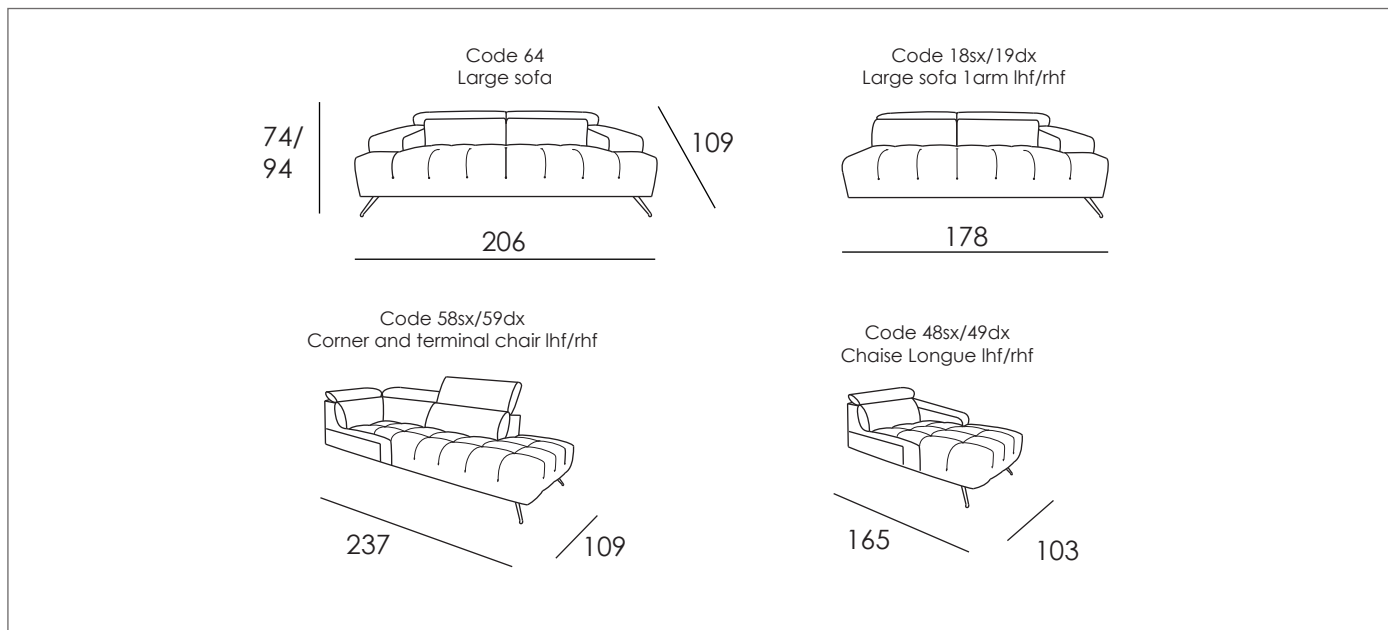
SEAT CUSHIONS: stress-resistant polyurethane density 35S CMHR covered with Dacron hollow soft polyester fibre

BACK CUSHIONS: stress-resistant polyurethane density 30SS CMHR and 35SCMHR covered with Dacron hollow soft polyester fibre

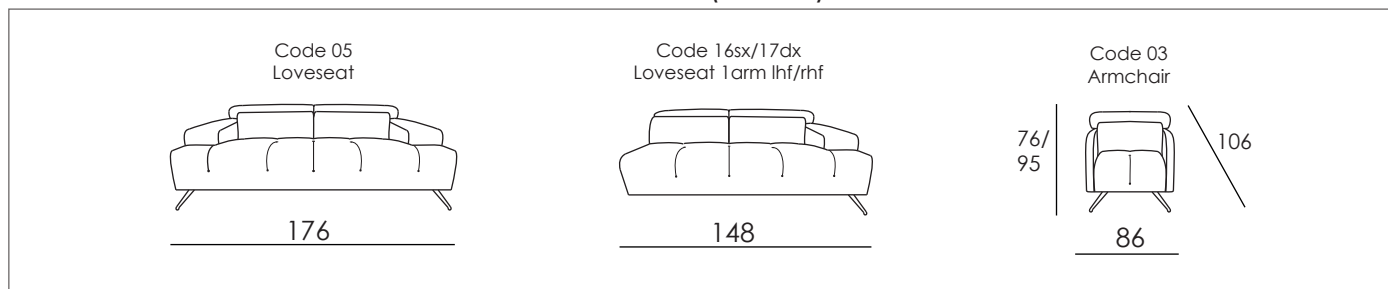
ARMS: stress-resistant polyurethane density 3535 covered with Dacron hollow soft polyester fibre and Microfibre

METAL FEET: h 17cm

Seat width (75 cm)



Seat width (60 cm)



Code 14
Rectangular ottoman

