

Model 5139 GRADO

CARCASS: spruce, chipboard and multilayer panels

SPRINGING: polypropylene and natural elastic belts on back and rings on seats

PADDING: stress-resistant poldensities

SEAT CUSHIONS: stress-resistant polyurethane density 35SCMHR covered with Dacron hollow soft polyester fibre

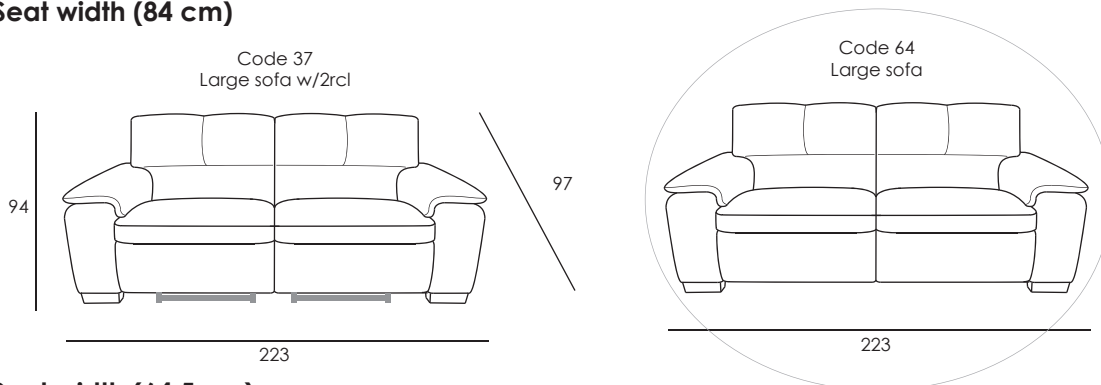
BACK CUSHIONS: Microfibre

ARMS: stress-resistant polyurethane density 45CM covered with Dacron hollow soft polyester fibre

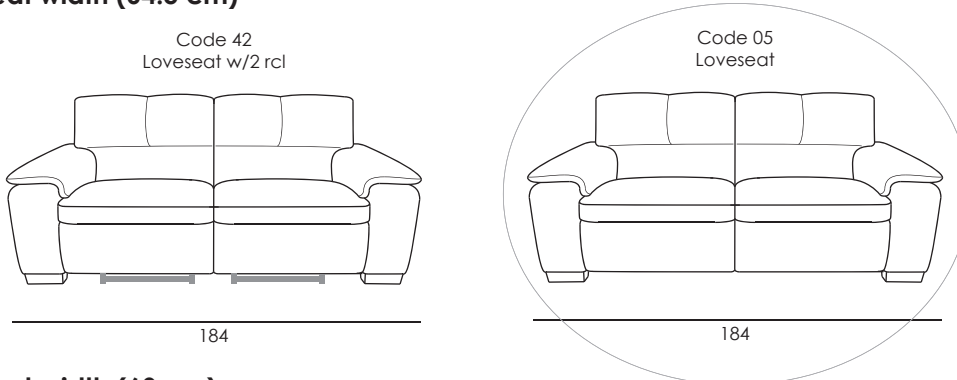
WOODEN FEET: h 7cm

MECHANISM: only electric recliner

Seat width (84 cm)



Seat width (64.5 cm)



Seat width (69 cm)

