

Model 5059 ELAN

CARCASS: spruce, chipboard and multilayer panels

SPRINGING: polypropylene and natural elastic belts on back and rings on seats

PADDING: stress-resistant poldensities

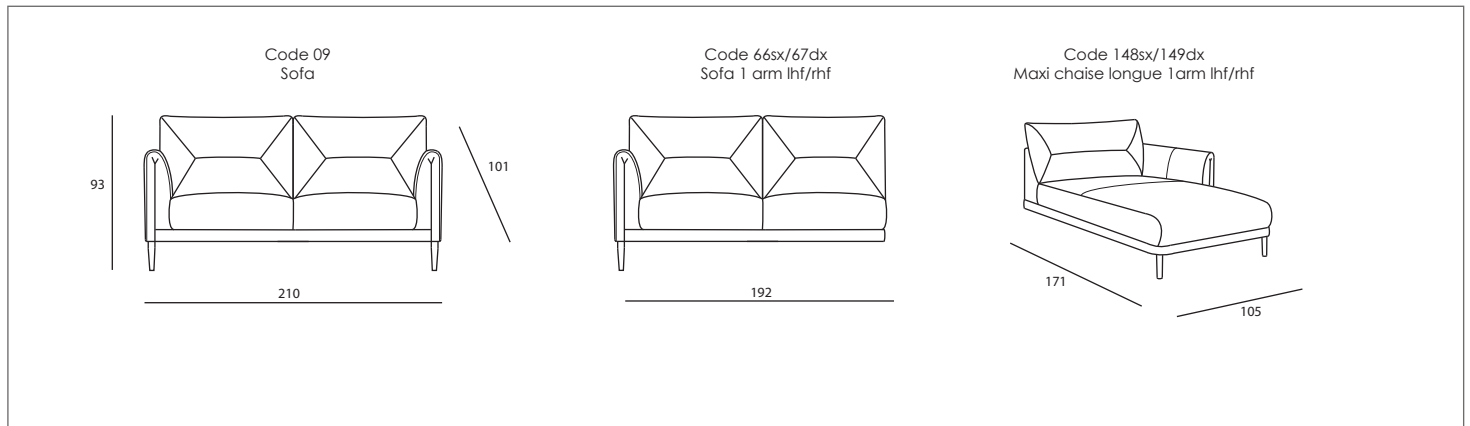
SEAT CUSHIONS: stress-resistant polyurethane density 35S CMHR covered with Dacron hollow soft polyester fibre

BACK CUSHIONS: Microfibre

ARMS: stress-resistant polyurethane density 35S CMHR covered with Dacron hollow soft polyester fibre

METAL FEET: h 17cm

Seat width (85 cm)



Seat width (70 cm)

