

# Model 5012 NEW BAG

**CARCASS:** spruce, chipboard and multilayers panels

**SPRINGING:** polypropylene and natural elastic belts on back and on seats

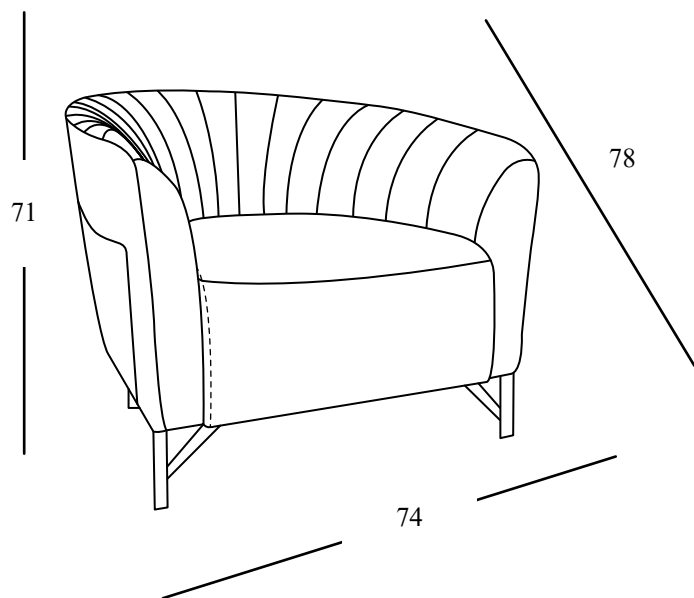
**PADDING:** stress-resistant polyurethane foam available in different densities

**SEAT CUSHIONS:** stress-resistant polyurethane density 35SCMHR covered with Dacron hollow soft polyester fibre

**BACK CUSHIONS:** stress-resistant polyurethane density 23HS covered with Dacron hollow soft polyester fibre

**METAL FEET:** h 15 cm

## Code 03 Armchair



## Depth + seat height

